



analog
signals



EtherCAT



Bluetooth

VADy

d · flux multi series product information

Multi-Parameter Mass Flow Meter & Mass Flow Controller for Gases

Suitable for common gases · Flow up to 1400 l/min · Pressure up to 14 bar a

Maximum flexibility at high speed:

Multi-parameter mass flow meter & controller for gases

The *d-flux multi series* is a fast and reliable multi-parameter mass flow device for gases with measurement outputs for mass, normalized and volumetric flow, pressure and temperature. The instrument is based on differential pressure measurement over an internal advanced laminar flow element. One of the many advantages of this laminar flow device is the ability to easily switch to a different gas without a loss in accuracy.



The new *d-flux multi series* features:

- ★ **Meter and Controller**
The unit is available as meter or with a strong integrated control valve as controller
- ★ **Flow rates up to 1400 l/min**
Rate for air, other gases according to conversion
- ★ **Multiple pre-programmed gases**
The unit can contain up to 15 programmed gases. More gases can be added at any time
- ★ **State-of-the-art communication**
Advanced Modbus communication & analog output/Optional Profinet or EtherCAT interface (Ethernet IP available soon)
- ★ **Wide application scope IP54**
Suitable up to 14 bar a and from -20 to 60 °C
Body in stainless-steel 316L / Protection IP54
- ★ **Minimum Inlet required**
Compact design, requires no long straight or special in and outlet sections.
- ★ **Accuracy**
± 0.5% of customer full scale and
± 1% of measured value
- ★ **High sample rate and fast response**
Sample rate of 1 ms, updated data every 10 msec and a total response time of 90 msec (controller 2s)
- ★ **Wireless device access with the free Vögtlin Connect app**
Easy device access and configuration of many parameters with our free Android app (Bluetooth®)
- ★ **Custom application profiles**
The unit offers up to 15 application profiles which allow the storage of individual application details
- ★ **Alarm, warning and diagnostic features**
The *d-flux multi series* integrates advanced diagnostics, monitoring and reporting every part of its operation. The information is accessible via Vögtlin Connect app or Modbus
- ★ **Autotare**
To minimize uncertainty, the *d-flux multi controller* detects with an advanced algorithm when there is no flow and will then automatically zero (tare) the units for optimum performance. For the meter this optimization needs to be performed manually.



Introducing Vögtlin Automated Dynamics VADy®

With the *d-flux multi series*, Vögtlin for the first time introduces an automatic real-time calculation of the optimum dynamic range*.

With this user selectable setting, the device dynamically adjusts the highest possible dynamic range under actual conditions.

VADy® makes it easy to work with the different gases and applications and offers convenience with optimum device efficiency:

Default dynamic range 1 : 100

1 : 1000 dynamic with VADy® feature available

*available for meter only



The new Vögtlin Connect App



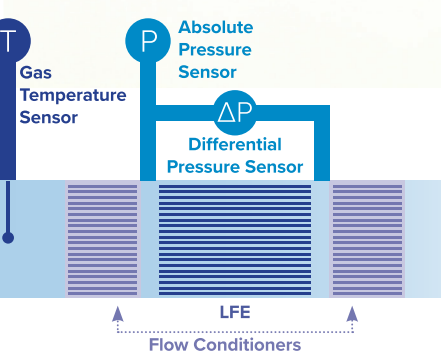
The Vögtlin Connect app can be used with Android phones and let's you easily and securely (password protected) connect to your *d-flux* device.

Vögtlin Connect is a user friendly configuration software and offers the adjustment of many device parameters:

Bluetooth readable/adjustable variables	Read	Write
Create & edit profiles (set of settings)	✓	✓
Flow range & dynamic range	✓	✓
Filter settings	✓	✓
Alarms and warnings	✓	✓
Analog in/output configuration	✓	✓
Function of push button*	✓	✓
Read current values	✓	
Show Graphs	✓	
Totalizer (read, select, reset)	✓	✓
Node/slave address setting	✓	✓
I/O for external valve on/off	✓	✓
Restart device		✓
Password protection of unit	✓	✓
Factory reset		✓
PID and valve parameters	✓	✓

* The external push button on the device can be programmed for one of the following functions: Device restart, measurement on/off, warning reset or tare (long press). Activation/Deactivation of Bluetooth® connection (short press).

The app works with Bluetooth® and can be downloaded for free from Google Play store.



<d-flux multi series> operating principle

The *d-flux multi series* uses a **differential pressure measurement over a laminar flow element**. The sensors measure the pressure differential, the absolute pressure and the gas temperature. With this information the internal electronics calculates the mass flow going through the device.

A unique advantage of the laminar flowmeter is its **linear relationship between flow rate and developed pressure drop**. This means no «square-root» characterization is necessary to obtain linear flow measurements with a laminar flowmeter. By adding a control valve and a PID controller, the meter becomes a mass flow controller. You give a setpoint to initiate a repeatable, stable flow.

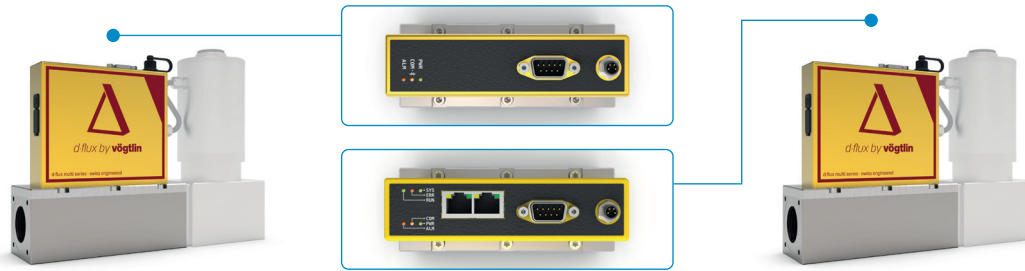
<d-flux multi series> configurations

The unit is available in 4 ranges (0-500, 0-700, 0-1000 and 0-1400 In/min for air). Each range can be reduced by the user by 30% without any loss in accuracy. The *d-flux* is an amazingly flexible product, it can handle 15 customer programmable application profiles. Please contact us and discuss any special requirements you have.

Applications: Due to the flexibility of the product, the strengths of the product shines in many different industries and applications. The unit is used for instance in the bio/pharma industry, gas consumption measurements, burner control, gas mix systems, testing systems, light semi industry, food industry and energy market.

Technical data <d-flux multi series>

Instrument types



d-flux multi meter/controller essential

Mass flow meter/controller with analog signals & Modbus interface

d-flux multi meter/controller advanced comms

Mass flow meter/controller with additional Profinet/EtherCAT interface

Measuring ranges	LFE Type	Range (air)	
Standard ranges (air/user adjustable) ¹	LFE1400	from 0-1000 l/min	to 0-1400 l/min
	LFE1000	from 0-700 l/min	to 0-1000 l/min
	LFE700	from 0-500 l/min	to 0-700 l/min
	LFE500	from 0-350 l/min	to 0-500 l/min
Gases	Maximum Range		
Air	0-1400 l/min		
Nitrogen	0-1400 l/min		
Argon	0-1250 l/min		
Customer defined gases	Up to total 15 gases or gas mixtures ²		
¹ Unless clearly stated, the specified flow ranges are for an equivalent flow of air at 1013.25 mbar a (760 mmHg) and 0°C (32°F). Other common flow, temperature and pressure units can be selected through the Vögtlin Connect app or the digital communication interface. More information available in the d-flux multi operating instructions. ² Additional gases or gas mixtures can be added to the above standard list. Stored gases can be replaced by another gas or gas mixture (except for air). Programmed gases/mixtures can be selected through the Vögtlin Connect app or the digital communication interface. For other gases, gas mixtures and reference conditions please contact the factory. Only suitable for dry and clean gases.			
Profiles	Up to 15 user programmable profiles Profiles are preset configurations where the customer can set the gas, range, dynamics, totalizers, engineering units and reference conditions for up to 15 different applications		
Performance data	Accuracy 0.5% of user full scale + 1% of measured value (after tare at operating conditions)		
Media	All gases and gas mixtures that are compatible with the selected materials. The device is not suitable for Hydrogen, Helium, corrosive and explosive gases. Contact the factory for more information.		
Dynamic range	<i>Fixed dynamics:</i> 1:100 for most gases ³ <i>VADy® dynamics:</i> up to 1:1000 (available for meter only) VADy® or a fixed dynamic range can be selected during order process. This setting can be changed at any time using the Vögtlin Connect app. ³ The dynamic range is gas and pressure dependent, higher pressures means lower dynamic range.		
Response time	<i>Meter:</i> Typical 90 msec / <i>Controller:</i> 2000 msec (according to SEMI standard SEMI E17-1011) ⁴ Update time mass flow value: 10 msec / Sensor sample rate: 1 msec ⁴ With optimized filter settings. All filter modes and values can be set through the Vögtlin Connect app or the digital communication interface.		
Repeatability	± 0.2% of factory full scale (according to SEMI standard E56-0309)		
Longterm stability	Typical < 0.2% of measured value/year after tare		
Power supply	<i>Meter:</i> 15-36 Vdc, (200 mA@24Vdc, regulated) / <i>Controller:</i> 24 Vdc ±10%, (2000mA@24Vdc, regulated) Power in through M8-4P connection or optionally through D-sub connection (ripple should not exceed 100 mV peak-to-peak) We recommend that the body of this unit is properly connected to ground		
Operation pressure	1 to 14 bar a		
Temperature (environment/gas)	-20 to +60 °C (-4 to 140 °F)		
Humidity gas	0-95% Rh (non-condensing)		
Pressure sensitivity	< 0.08% FFS ⁵ +0.1% MV per bar (typical air)		
Temperature sensitivity	<0.02% FFS ⁵ per 1°C of inlet gas temperature @ 7 bar a pressure ⁵ Factory Full Scale (maximum flow range of the device)		
Accuracy temperature	Typically ± 0.5 °C (not certified)		
Accuracy absolute pressure	<0.5% MV (not certified)		
Warm-up time	<2 sec for full accuracy		

Materials

Wetted parts	<p><i>Body:</i> Stainless Steel 316L (1.4404)</p> <p><i>Valve (controller):</i> 316 (1.4401), 416 (1.4005), 430F (1.4104)</p> <p><i>Other materials:</i> SS316Ti (1.4571), silicon, gold, glass, silicone encapsulation, PBT 30GF, ceramics, filter SS316 (1.4401), fastening SS (1.4122) or equivalent</p>
Electronic housing	Powder coated stainless steel
Seals	FKM, optional EPDM
Integrated inlet filter	50 Micron SS316 (1.4401) filter/not customer replaceable/fastener material SS (1.4122) or equivalent
Wetted part surface roughness	1.6 Ra µm or better (contact factory for lower Ra values)

Integration & Installation

Output signals analog	<p>Linear 4–20 mA or customer defined (max 20 mA) user selectable</p> <p>Linear 0–5 VDC or 0-10 VDC or customer defined (max 10 Volt) user selectable</p> <p>mA output: 740 ohms maximum load resistance</p> <p>Volt output: 1000 ohms minimum load resistance</p> <p>All analog outputs are galvanically separated and protected</p> <p>If used with analog signals add 0.2% of FFS to the uncertainty.</p>
Setpoint signals analog	<p>Linear 4–20 mA or customer defined (max 20 mA) user selectable</p> <p>Linear 0–5 VDC or 0-10 VDC or customer defined (max 10 Volt) user selectable</p>
Output signals digital	<p>RS-485 (Modbus RTU 2-wire)</p> <p>The Modbus address can be set with 2 rotating switches on the outside of the housing.</p> <p>All Modbus settings can be set through the Vögtlin Connect app.</p>
Optional digital communication	<p>Dual Port RJ45 with integrated switch (easy to daisy chain)</p> <p>RJ45 LEDs indicating link and activity on the network / Ethernet speed: maximum 100 Mbit</p> <p><i>ProfiNet:</i> PROFINET IO specification v2.33 / PROFINET IO devices conformance class B (RT) / Endianness: conform Siemens S7 (big)</p> <p><i>EtherCAT:</i> IEC standard IEC61158 / Endianness: little</p> <p><i>Ethernet IP</i> will be available end of 2022.</p>
Configuration interface	Bluetooth 4.0 (free Vögtlin Connect app available from Google Play store)
Output I/O mosfet	<p>On/off for external shut-off valve or alarm available through M8-4P connector</p> <p>Contact type: mosfet transistor</p> <p>Maximum voltage: 36 Vdc, Max current 500 mA (Polyfuse protected)</p>
Electrical connection	<p>9 pin D-sub male (power and signals) M8-4P connector (open collector output + power)</p> <p>Optional 2 x RJ45 (EtherCAT/Profinet)</p>
Process connection	<p>1" BSPP female (G1")</p> <p>Optional ½" BSPP, 1" Compression or Tri-clamp 50.5mm flange size (ISO)</p> <p>(see accessories page)</p>
Inlet section	<p>None required if our standard inlet filter/conditioner is installed</p> <p>Without filter/conditioner a 10 D straight inlet is recommended</p> <p>The inlet filter can be deselected at time of order</p>
Pressure drop	<p><i>Meter:</i> Standard 400 mbar at factory full scale air venting to atmosphere (with filter/conditioner)</p> <p>Optional: 325 mbar at factory full scale air venting to atmosphere (without filter/conditioner)</p> <p>Pressure drop is dependent on operating pressure (higher pressure = lower pressure drop)</p> <p>For more information please refer to your sales partner</p> <p><i>Controller:</i> Min. pressure difference required for 1400 l/min (air) < 3 bar</p> <p>Contact your sales partner for other pressure drop requirements</p>
Mounting orientation	All orientations are possible
Weight	<i>Meter:</i> 3.7 kg / <i>Controller:</i> 8.7 kg (excluding ethernet and fittings)

Safety

Test pressure	21 bar a
Maximum overpressure sensor	28 bar a
Burst pressure	<i>Meter:</i> 100 bar a / <i>Controller:</i> 70 bar a
Leak rate	< 1 x 10 ⁻⁶ mbar l/s He
Ingress protection class	IP54 if IP54-D-sub is used (see accessories page)
	For optional EtherCAT/Profinet: IP40

Certifications

EMC	IEC/EN 61326-1, IEC/EN 61000-6-2/4
ATEX certification	None
Material certificates	To be released in 2023 (available for meter only)
FDA compliance	To be released in 2023 (available for meter only)
PED	Fully compliant. Since the unit has 1" process connection, complies with the SEP as defined in article 4, paragraph 3 of the Pressure Equipment Directive (PED) (2014/68/EU)
RoHS/REACH	All components comply with Directive 2002/95/EC (RoHS) and the REACH guidelines
Warranty	3 years

Technical specifications and dimensions subject to change without notice.

Accessories <d-flux multi series>

Power, plugs and cables



IP54-D9-sub connector

This plug connects to the male D-sub on top of the d-flux unit to connect the signals and power. With this plug installed and the cap on the DIN M8 connector the integrity rating of this unit is IP54. Available as plug only (solder connections inside) or with 2 meter cable with fly leads. Maximum current 2 amp.

Art-N° 328-2093 IP54-D9-sub connector (IP54 rated, 9 solder connections, no cable)
 Art-N° 328-2094 IP54-D9-sub connector (IP54 rated with 2 meter cable and fly leads (9))



IP20-D9-sub connector

Available as plug only or with 2 meter cable (for indoor IP20 applications only)

Art-N° 328-2102 IP20-D9-sub connector (IP20 rated, 9 solder connections, no cable)
 Art-N° 328-2103 IP20-D9-sub connector (IP20 rated with 2 meter cable and fly leads (9))



IP40-Power supply

In: 100-240 Vac / Out: 24 Vdc, 2.2A with M8-4pin connector
 Not suitable for IP54 applications, for indoor IP40 applications only. Suitable for meters and controllers. Used to configure the d-flux on your desktop with the Vögtlin Connect app

Art-N° 328-2361 Table top power supply (EU plug)
 Art-N° 328-2362 Table top power supply (US plug)
 Art-N° 328-2363 Table top power supply (GB plug)
 Art-N° 328-2364 Table top power supply (AU plug)
 Art-N° 328-2365 Table top power supply (CN plug)



IP20-RS485 to USB

A simple way to connect your d-flux over Modbus to your PC
 Consisting of 1) RS485 to USB converter (no external power required for converter), 2) a USB-A (version 2.0) connection to your PC and 3) a 9 pin D-sub female connector to the d-flux / Total cable length 3 meters.
 USB 2.0-B female to 1 x 9 pin serial RS422/485 male
 Chipset: FT232HL, SP3078EE, Dimension: 80 x 72 x 23 (LxWxH)
 Power supply for the d-flux needs to be purchased separately – not included in this kit.

Art-N° 328-2112



IP54-M8 plug

Available as plug only or with 2 meter cable. M8-4pin plugs are suitable for IP54 applications. Maximum current 4 Amp.

Art-N° 328-2096 IP54-M8 connector (4 Pin straight female with screw terminals and cable gland)
 Art-N° 328-2097 IP54-M8 connector as above but with 2 meter cable with fly leads



IP54-M8 cap

Cap to seal off M8 connection if not used (required for IP54 protection). Supplied one with every unit. Only required when IP54 protection is lost or damaged

Art-N° 632-1221 IP54-M8 cap (to close off/open not used M8 connector)

Fittings



1" Compression fitting

Stainless Steel Compression Tube Fitting, Male Connector, 1". Tube OD x 1" BSPP tread
 Male ISO Parallel Thread / Material SS316 (1.4401) including O-rings
 Optional 3.1 Certificate upon request when order is placed

Art-N° 328-1254 FKM
 Art-N° 328-1255 EPDM



DN50 Tri-clamp

Tri-clamp connection 50.5mm flange (ISO), to 1" BSPP tread
 Material 316L (1.4404) including O-rings

Art-N° 328-1426 FKM
 Art-N° 328-1427 EPDM



Reducer 1" BSPP to 1/2" female BSPP

Reduced process connections from 1" BSPP male tread to 1/2" BSPP female
 Material 316Ti (1.4571) including seal rings

Art-N° 328-1257 FKM

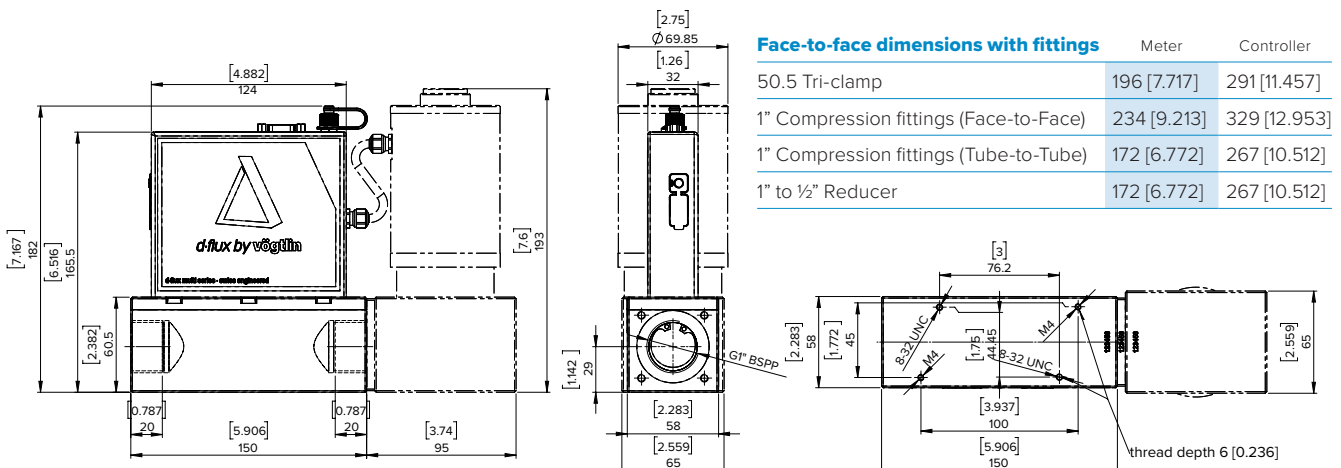
Configuration matrix <d-flux multi series>

Functionality	<input type="checkbox"/> d-flux multi meter	<input type="checkbox"/> d-flux multi controller
Gas(es) to measure	<input type="text"/>	
Temperature of the gas (range from/to)	<input type="text"/>	
Flow range / flow units (f.i. l/min)	<input type="text"/>	
Dynamic range	<input type="checkbox"/> Fixed dynamics* (default 1:100) See configurator to determine dynamics for process conditions <input type="checkbox"/> VADy® (max. 1:1000) customer adjustable (available for meter only)	
Pressure (please state absolute or gauge)	Pressure inlet (P1) <input type="text"/>	Pressure outlet (P2) <input type="text"/>
Control valve	The valve type, orifice, springs and position (inlet or outlet) will be determine by the factory	
Body material	Stainless steel 316L (1.4404)	
Elastomers	<input type="checkbox"/> FKM	<input type="checkbox"/> EPDM
Analog Signals	<i>Output signals</i>	<i>Setpoint signal (controller only)</i>
For the output there is one Vdc and one separate mA signal. For the setpoint there is only one analog input signal. These signals can be adapted through the Vogtlin Connect app.	<input type="checkbox"/> 4-20 mA + 0-5V*	<input type="checkbox"/> 4-20 mA*
	<input type="checkbox"/> 4-20 mA + 1-5V	<input type="checkbox"/> 0-20 mA
	<input type="checkbox"/> 4-20 mA + 0-10V	<input type="checkbox"/> 0-5 Vdc
	<input type="checkbox"/> 4-20 mA + 2-10V	<input type="checkbox"/> 1-5 Vdc
	<input type="checkbox"/> 0-20 mA + 0-5V	<input type="checkbox"/> 0-10 Vdc
	<input type="checkbox"/> 0-20 mA + 1-5V	<input type="checkbox"/> 2-10 Vdc
	<input type="checkbox"/> 0-20 mA + 0-10V	
	<input type="checkbox"/> 0-20 mA + 2-10V	
	<input type="checkbox"/> 0-20 mA + 0-10V	
Digital Communication	<input type="checkbox"/> Modbus communication* <input type="checkbox"/> Modbus & EtherCAT (unit becomes IP40) <input type="checkbox"/> Modbus & Profinet (unit becomes IP40)	
Fittings	<input type="checkbox"/> None (1" BSPP female connection)* <input type="checkbox"/> 1" Compression fitting stainless steel 316L (1.4404) <input type="checkbox"/> Tri-clamp 50.5 mm flange (ISO) stainless steel 316L (1.4404) <input type="checkbox"/> Reducer to 1/2" BSPP female stainless steel 316L (1.4571)	
Calibration Certificate	<input type="checkbox"/> Factory calibration 5 points* <input type="checkbox"/> Factory calibration protocol 20 points	
Additional Services	<input type="checkbox"/> Certificate of compliance 2.1 according to EN10204 <input type="checkbox"/> Test report 2.2 according to EN10204	

*default

Dimensions & electrical connections <d-flux multi series>

Dimensions in mm [values in brackets are inch sizes] / Depending on the configuration, the valve can be on right or left side of the body



Worldwide TASI Flow Network



Vögtlin Sales & Service Hub North America:

Sierra Instruments

5 Harris Court, Building L
Monterey, CA 93940, USA

Phone +1 800 866 0200
Fax +1 831 373 4402

sales@sierrainstruments.com
www.sierrainstruments.com

International Headquarter:

Vögtlin Instruments GmbH

St. Jakob-Strasse 84
4132 Muttenz, Switzerland

Phone +41 61 756 63 00
Fax +41 61 756 63 01

info@voegtlin.com
www.voegtlin.com

Vögtlin Sales & Service Hub China:

KEM flow technology (Beijing) Co., Ltd.

Rm. 906, Block C, Ruiipu Office Bldg,
No. 15, HongJunYingNan Road,
Chaoyang District, Beijing 100012, China

Phone +86 10 849 29567

info@kem-kueppers.cn
www.voegtlin.cn

Find your local Vögtlin sales partner on our website:

www.voegtlin.com



Vögtlin Instruments GmbH – gas flow technology

St. Jakob-Strasse 84 | 4132 Muttenz (Switzerland)

Phone +41 61 756 63 00 | Fax +41 61 756 63 01

www.voegtlin.com | info@voegtlin.com

vögtlin 
instruments